



[CLICK HERE TO WATCH A VIRTUAL TOUR](#) 

NEARBY RETAILERS



RETAIL FOR LEASE

- 2,180 SF space great for fitness or other uses.
- Convenient surface parking with 53 common spaces.
- Located .2 miles from newly signed 50,000 SF Whole Foods anchored mixed use project including 350 apartments.
- B-2 Zoning (Falls Church)

CRAIG S. CHENEY

ccheney@klnb.com | 703-268-2705

ALEX WILLNER

awillner@klnb.com | 703-268-2718

LOCATION

300 S WASHINGTON ST - WASHINGTON COMMONS

FALLS CHURCH, VA 22046



AVAILABILITY:

SPACE	RATE	CONDITION	DELIVERY
Suite 336A 2,180 SF	\$35.00 PSF NNN	VANILLA SHELL	IMMEDIATE

*Est NNN: \$10.30 PSF

DEMOGRAPHICS | 2025:

1-MILE	3-MILE	5-MILE
Population		
24,004	168,855	513,619
Daytime Population		
16,363	82,009	376,740
Households		
8,826	59,598	201,774
Average HH Income		
\$226,303	\$220,088	\$200,614

[CLICK TO DOWNLOAD DEMOGRAPHIC REPORT](#)

TRAFFIC COUNTS | 2024:

S Washington St	14,682 ADT
W Annandale Rd	11,043 ADT

CRAIG S. CHENEY
ccheney@klnb.com | 703-268-2705

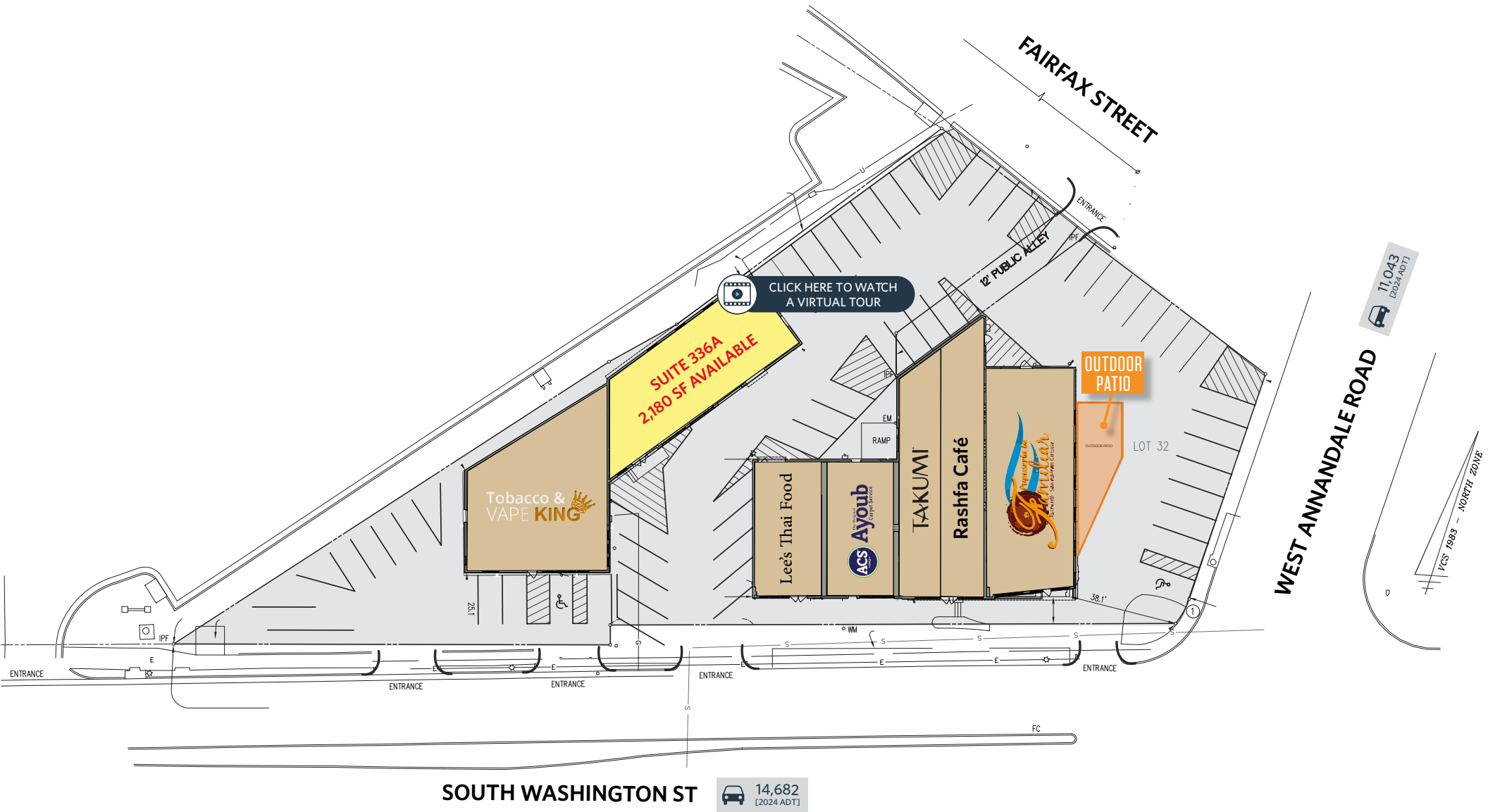
ALEX WILLNER
awillner@klnb.com | 703-268-2718



SITE PLAN

300 S WASHINGTON ST - WASHINGTON COMMONS

FALLS CHURCH, VA 22046



CRAIG S. CHENEY

ccheney@klnb.com | 703-268-2705

ALEX WILLNER

awillner@klnb.com | 703-268-2718

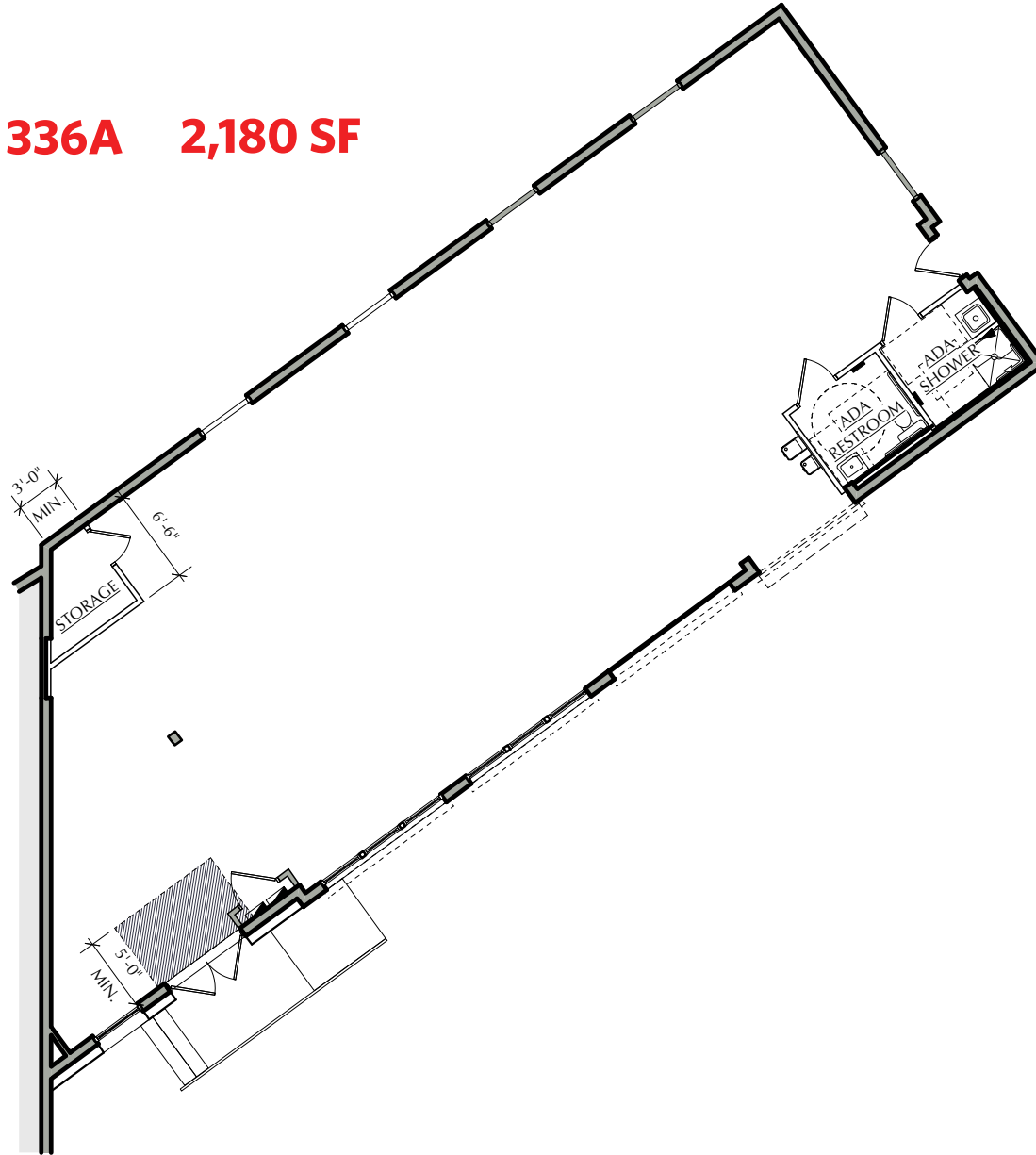


SPACE PLAN

300 S WASHINGTON ST - WASHINGTON COMMONS

FALLS CHURCH, VA 22046

Suite 336A 2,180 SF



CRAIG S. CHENEY

ccheney@klnb.com | 703-268-2705

ALEX WILLNER

awillner@klnb.com | 703-268-2718

klnb

PHOTOS

300 S WASHINGTON ST - WASHINGTON COMMONS

FALLS CHURCH, VA 22046

SUITE 336A



CRAIG S. CHENEY

ccheney@klnb.com | 703-268-2705

ALEX WILLNER

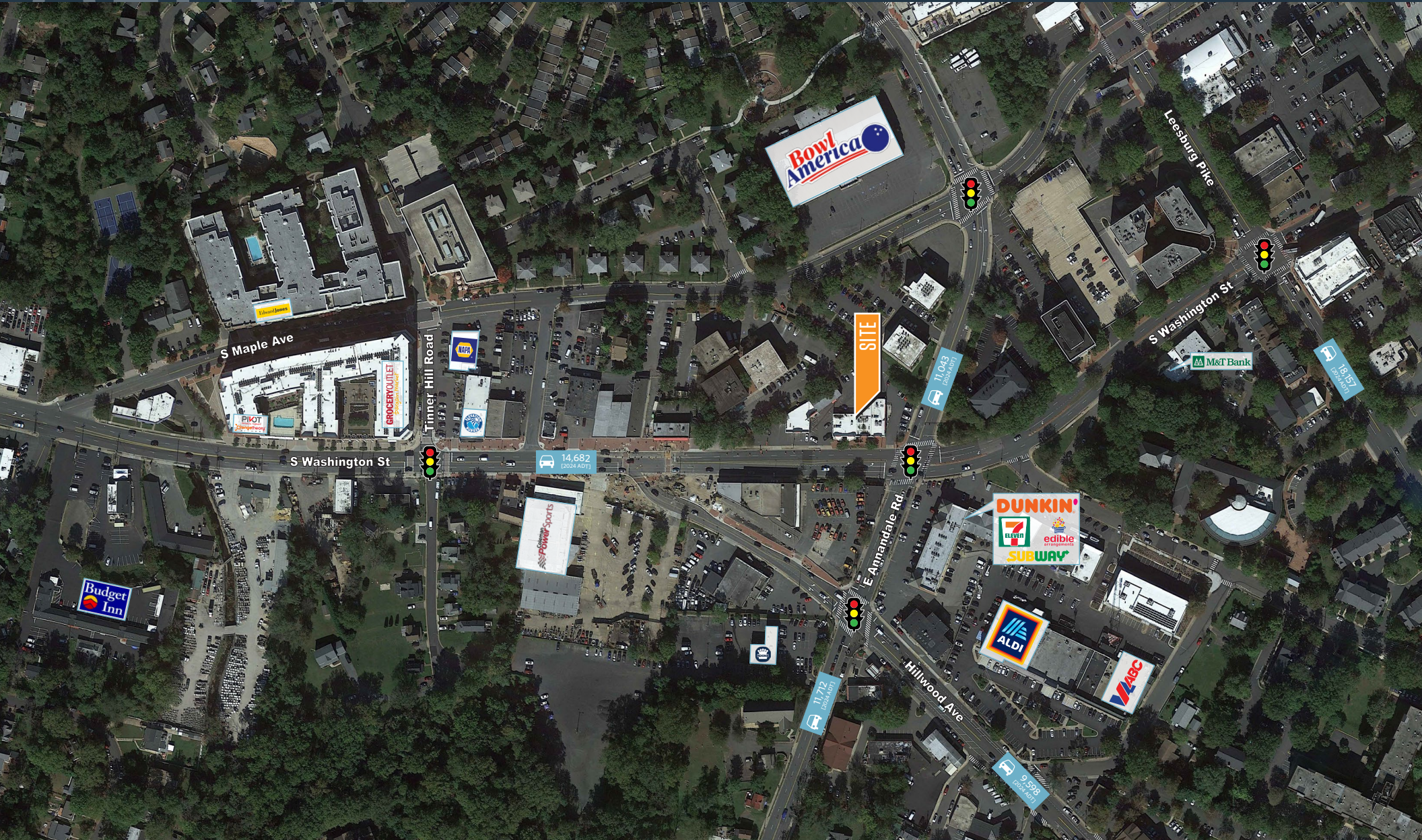
awillner@klnb.com | 703-268-2718

klnb

AERIAL

300 S WASHINGTON ST - WASHINGTON COMMONS

FALLS CHURCH, VA 22046



CRAIG S. CHENEY
ccheney@klnb.com | 703-268-2705

ALEX WILLNER
awillner@klnb.com | 703-268-2718





300 S WASHINGTON ST - WASHINGTON COMMONS

FALLS CHURCH, VA 22046

FOR MORE INFORMATION, PLEASE CONTACT:

CRAIG S. CHENEY

ccheney@klnb.com

703-268-2705

ALEX WILLNER

awillner@klnb.com

703-268-2718

8065 Leesburg Pike, Suite 700, Tysons, VA 22182

.....

klnb.com



instagram.com/klnbcre



linkedin.com/company/klnb



facebook.com/KLNBCRE

CLICK TO VIEW PROPERTY WEBSITE

While we have no reason to doubt the accuracy of any of the information supplied, we cannot, and do not, guarantee its accuracy. All information should be independently verified prior to a purchase or lease of the property. We are not responsible for errors, omissions, misuse, or misinterpretation of information contained herein and make no warranty of any kind, express or implied, with respect to the property or any other matters.